

## Tyscor VS 4 Central Combination Suction Unit



[www.duerrdental.com](http://www.duerrdental.com)

Order number: 7188100021



Ambient temperature



Upper limit of humidity

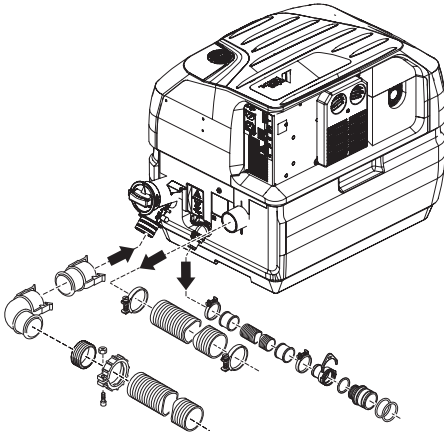


Only qualified specialists or employees trained by Dürr Dental are permitted to install, connect and start using the unit.

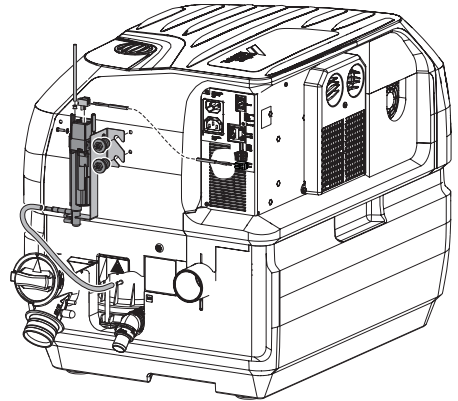


### Assembly

1



2



**DÜRR DENTAL SE**

Höpfungheimer Str. 17

74321 Bietigheim-Bissingen

Germany

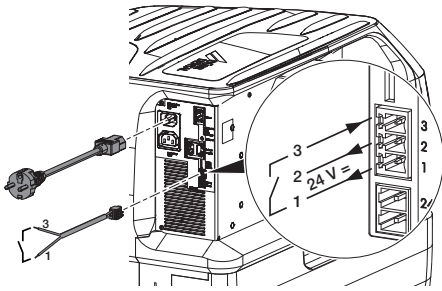
**7188100020L40**



**DÜRR  
DENTAL**

2109V002

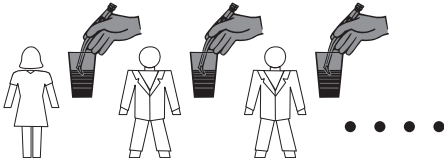
3



### Usage

1

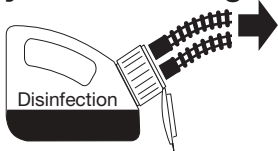
- › After treating each patient, aspirate one glass of cold water.



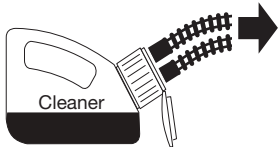
2

- › Daily, after completing treatment, aspirate a unit of disinfection solution, e.g. Orotol plus.
- › Once a week before the lunch break, aspirate a unit of cleaning agent solution, e.g. MD 555 cleaner. Rinse with water after the reaction time.

### 1x / Day in the evenings

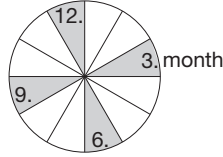


### 1x / Week about noon

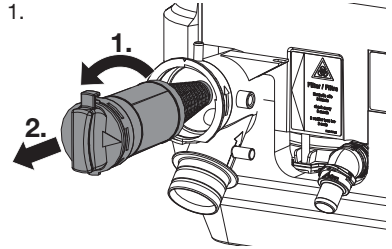


3

- › Clean the protective sieve on the suction input every 3 months.



1.



2.

